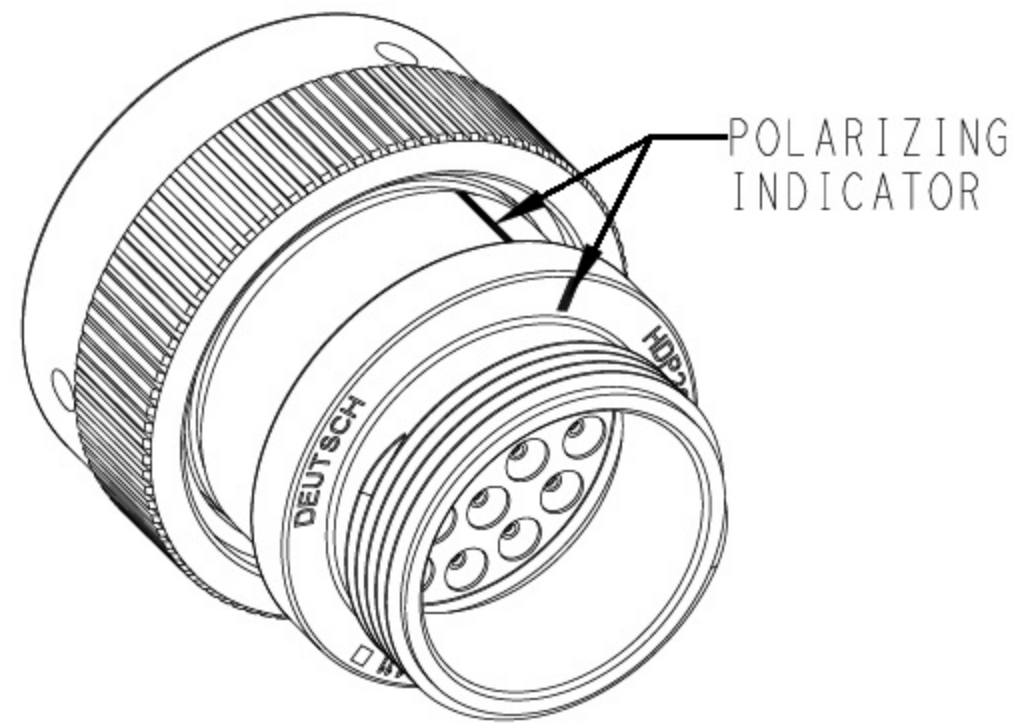
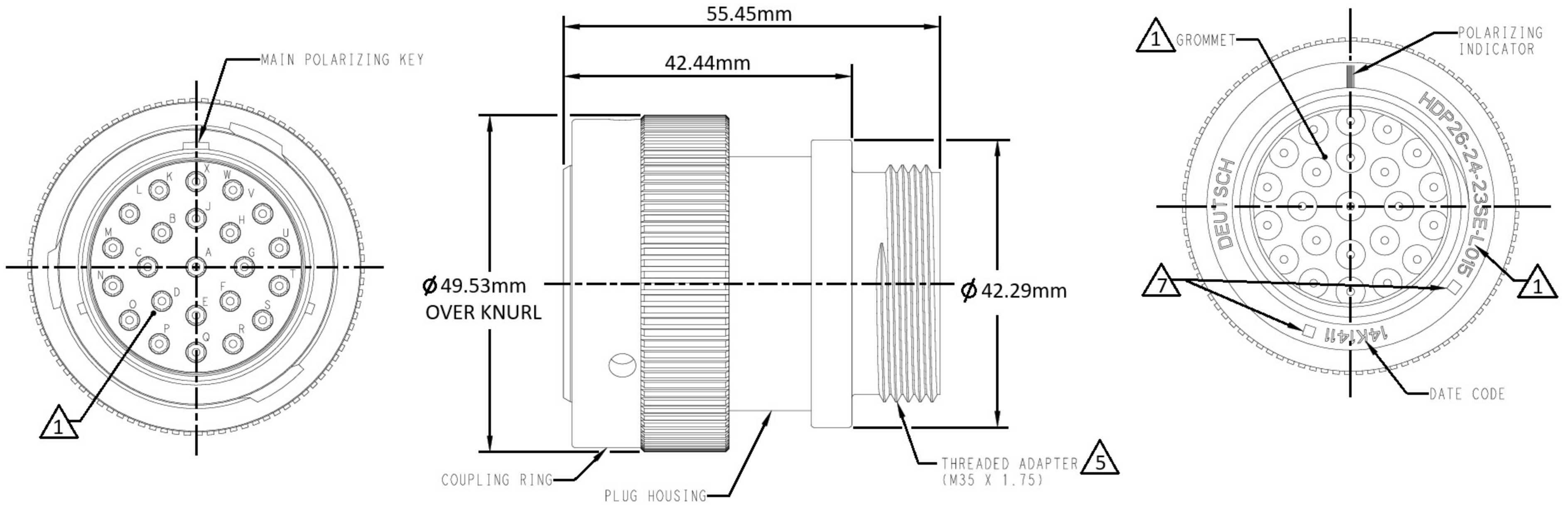


DIMENSIONS



SCALE 1:1



SEE CUSTOMER DRAWING 0425-014-2400 FOR AVAILABLE INSERT ARRANGEMENTS AND PART NUMBERS.



CONDUIT ADAPTER ACCEPTS EITHER TYPES:
 A. CONDUIT ADAPTER CAP NUT (CN21) AND SEAL RING (SRN21)
 B. BACKSHELL (M902-2243), COMPRESSION NUT (M902-2053),
 CABLE $\phi .430-.570$ [10.92-14.78]

C. BACKSHELL (M902-2244), COMPRESSION NUT (M902-2054),
 CABLE $\phi .570-710$ [14.78-18.03]



LOCATIONS FOR TRACEABILITY WITNESS MARKS ONLY