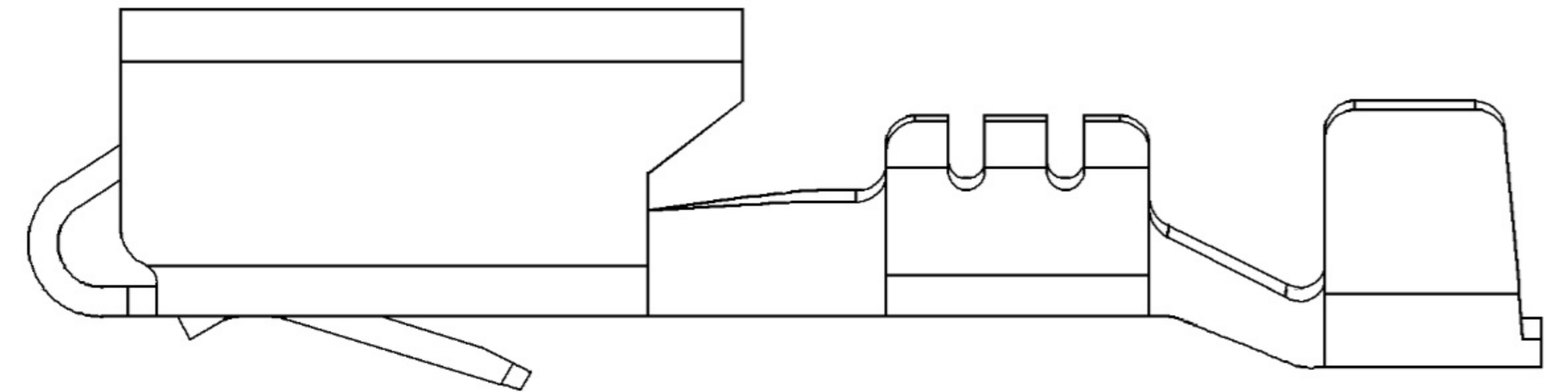
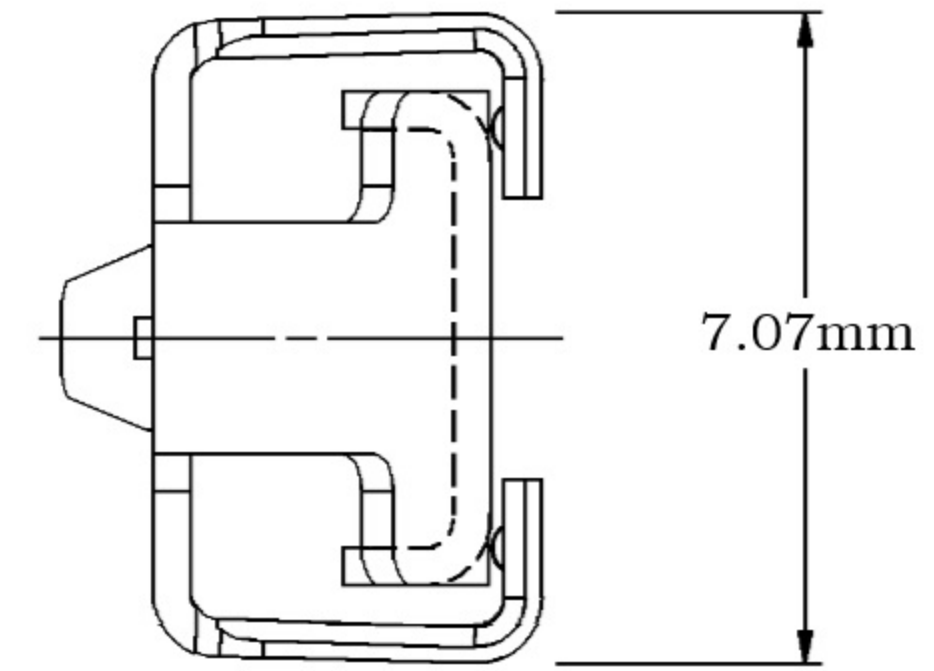
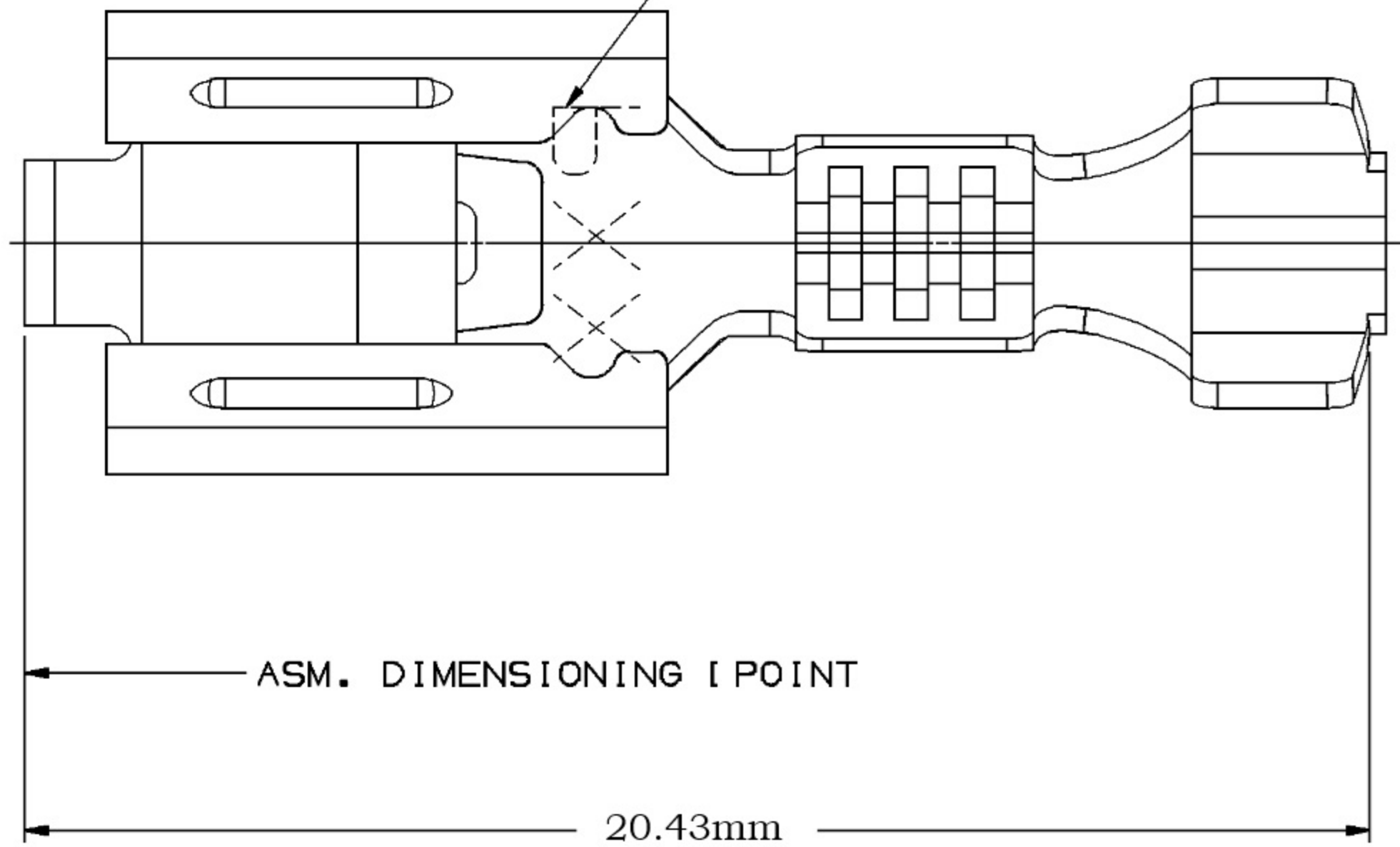


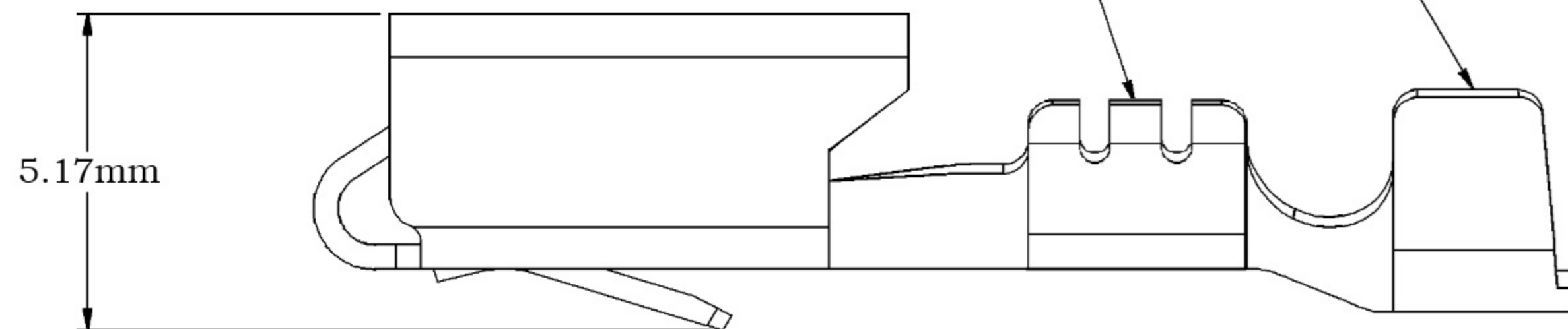
DIMENSIONS

STAMP "PXX" ON UNDERSIDE IN THIS AREA
 WITH 1.3 HIGH CHARACTERS PER NOTE #6
 CHARACTERS MUST BE POSITIONED IN
 DIRECTION SHOWN OR AT 180° TO DIRECTION
 SHOWN. "PED" OPTIONAL FOR EXISTING TOOLS.

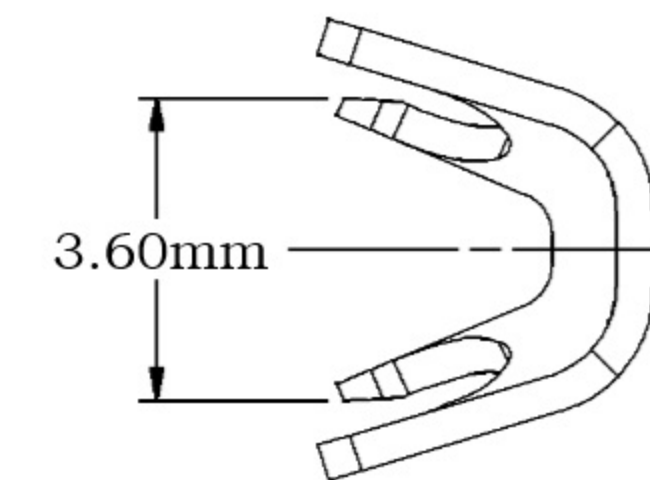


INSULATION WINGS FOR
 MAX. INSUL. \varnothing

CONDUCTOR WINGS FOR
 CABLE SIZE (MM²)



○ TYPE 103
 SAME AS TYPE 101
 EXCEPT AS SHOWN



TYPE 101