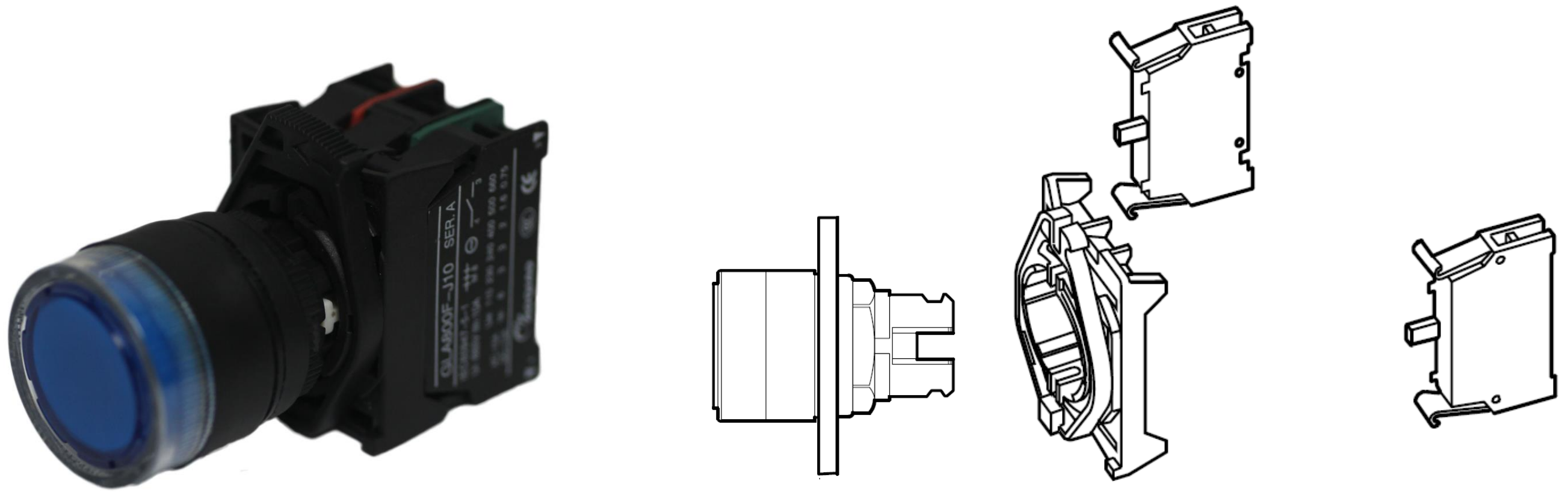


ILLUMINATED BLUE PUSH BUTTON (PLASTIC OPERATED)



Mechanical Ratings

Description	Plastic (800EP/ES)	Metal (800EM/EB)
Vibration (assembled to panel)	10...2000 Hz, 1.52 mm displacement (peak-to-peak) max./10 G max.	
Shock	1/2 cycle sine wave for 11 ms and no damage at 100 G	
Degree of protection	IP66 (NEMA Type 3/3R/4/4X/12/13) IP65 (potentiometer only) (NEMA Type 4/4X/13) IP40 multi-function without boot IP66 multi-function with boot	IP66 (NEMA Type 3/3R/4/12/13)
Mechanical design life (typical)	10,000,000 Cycles: non-illuminated push buttons 3,000,000 Cycles: illuminated push buttons 3,000,000 Cycles: multi-function operators 500,000 Cycles: mushroom operators, selector operators 200,000 Cycles: illuminated selector operators 100,000 Cycles: mushroom key operators (plastic), push-pull/twist operators, wobble stick and joy stick operators 50,000 Cycles: mushroom key operators (metal)	
Operating forces (typical)	5N: flush, extended operators	

Environmental

Temperature range (operating): per IEC 947-1	-25...+55°C (-13...+131°F) ②
Temperature range (short term storage): per IEC 947-1	-40...+70°C (85°C maximum for 24 hours) -40...+158°F (185°F maximum for 24 hours)
Humidity	50% to 95% RH from 25...60°C (77...140°F) per: Procedure IV of MIL-STD-810C, Method 507.1 cycling test

Materials

Bushings, mounting rings	Glass-filled thermoplastic polyester, rated UL94 V-O	Die-cast zinc; dark olive chromate finish
Legend frames	Glass-filled thermoplastic polyester, rated UL94 V-O	
Bezels	Glass-filled thermoplastic polyester, rated UL94 V-O	Anodized aluminum (EB, EM, ES line)
Seals: diaphragm style	Silicone rubber	
Seals: lip and flat gasket styles	Nitrile rubber	
Illuminated lenses	Transparent nylon Type 12	

3-Across Mounting Latch

