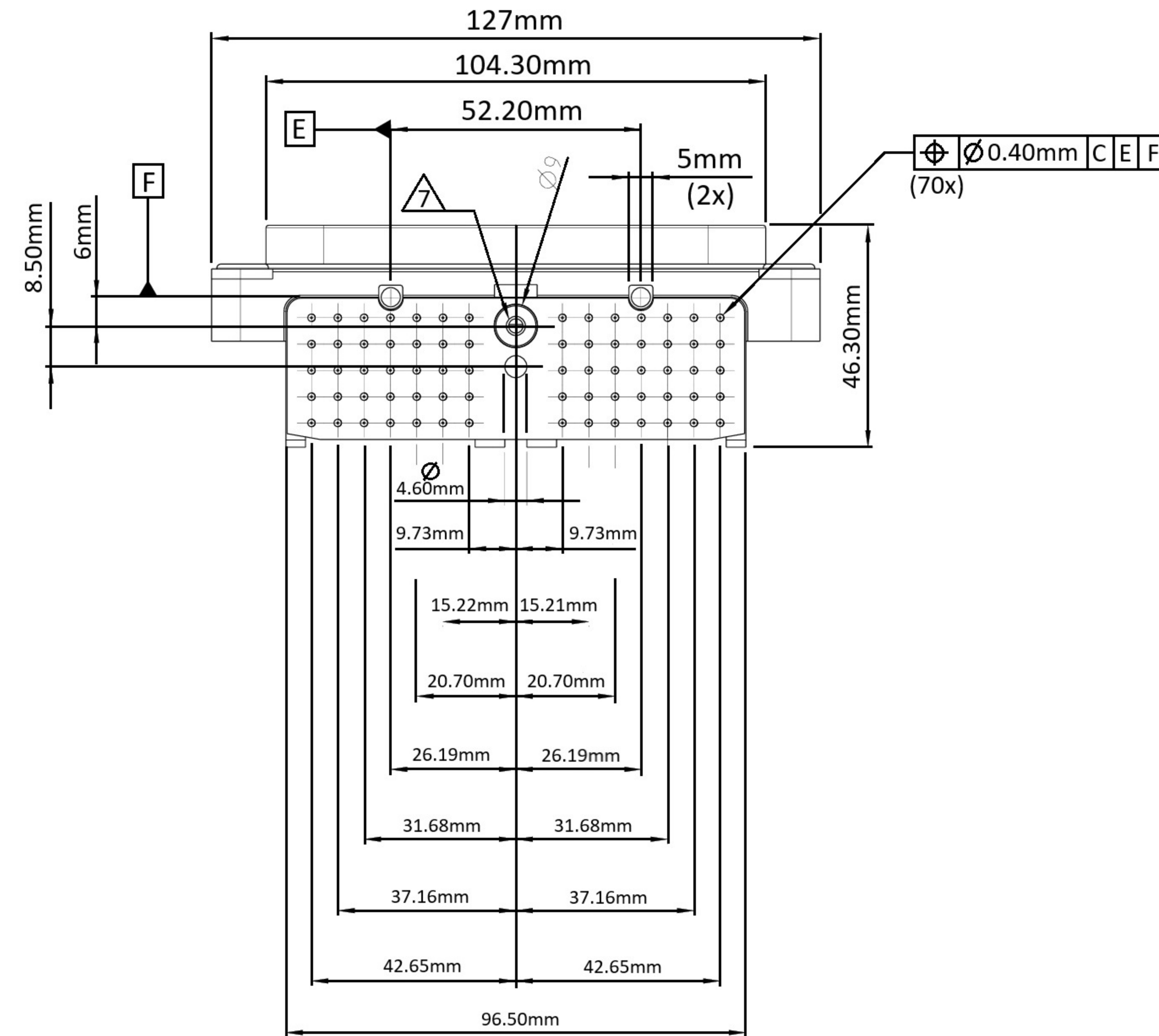
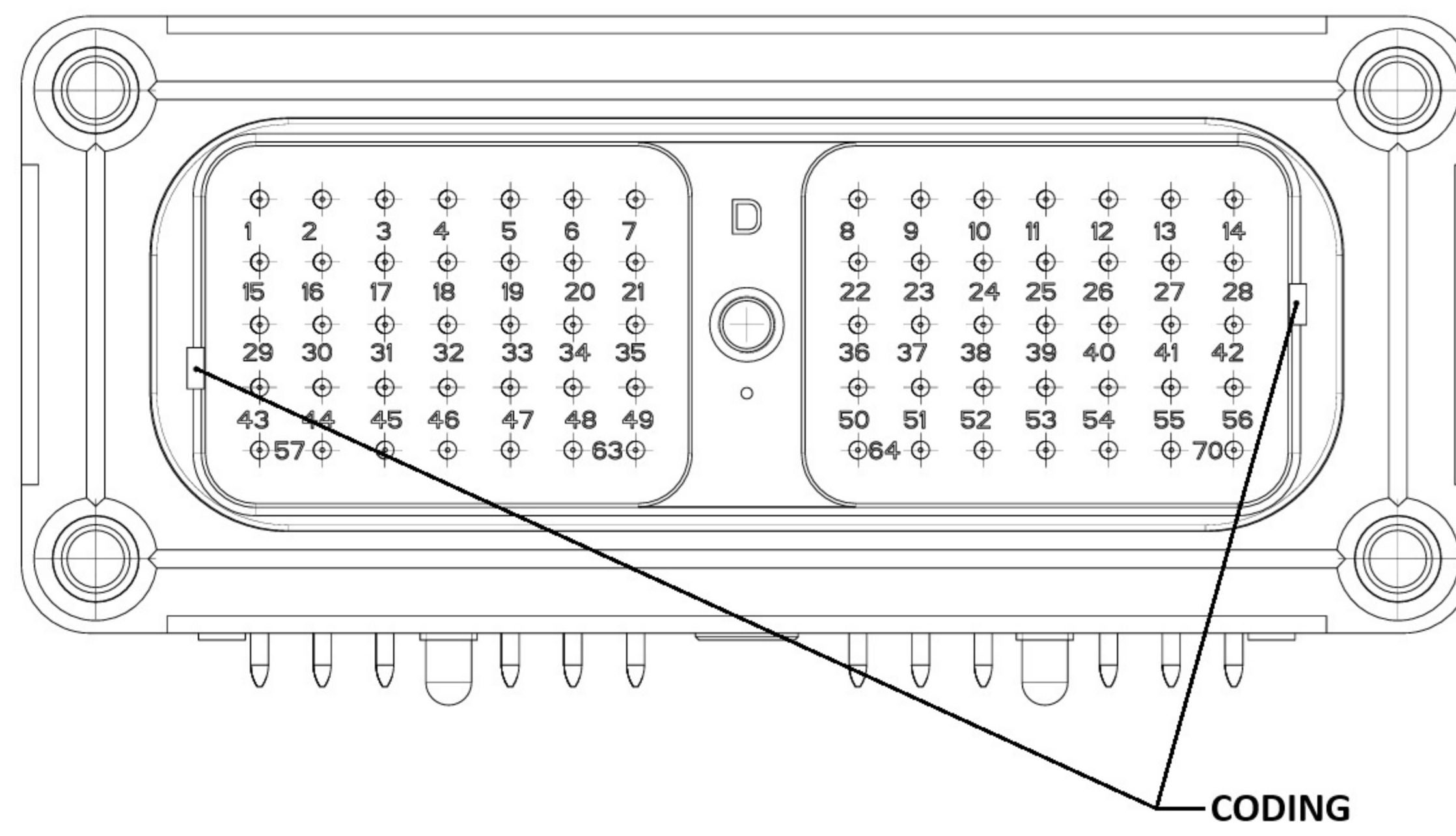


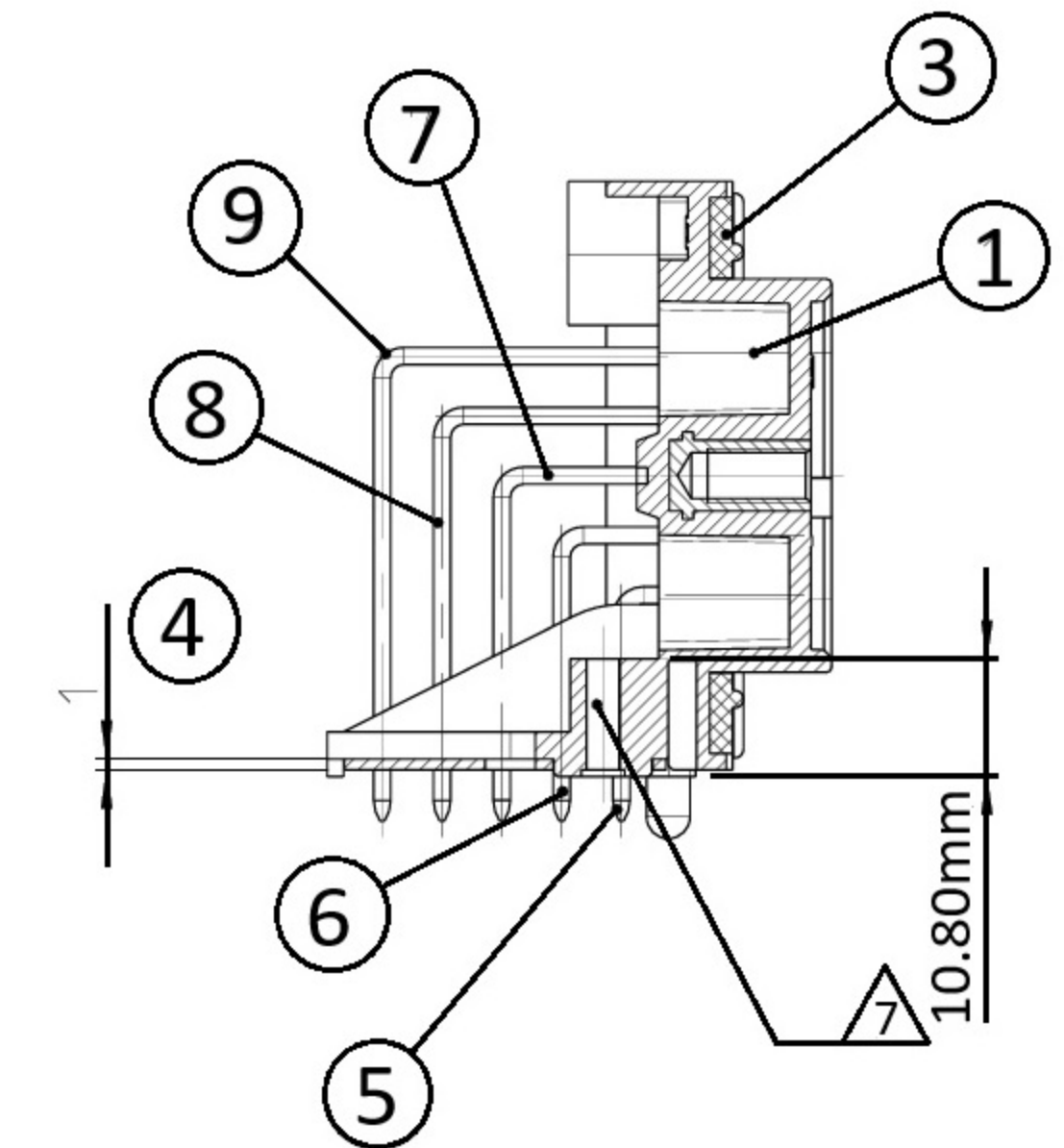
# DIMENSIONS

DRC13-70PD-B027  
CODING D

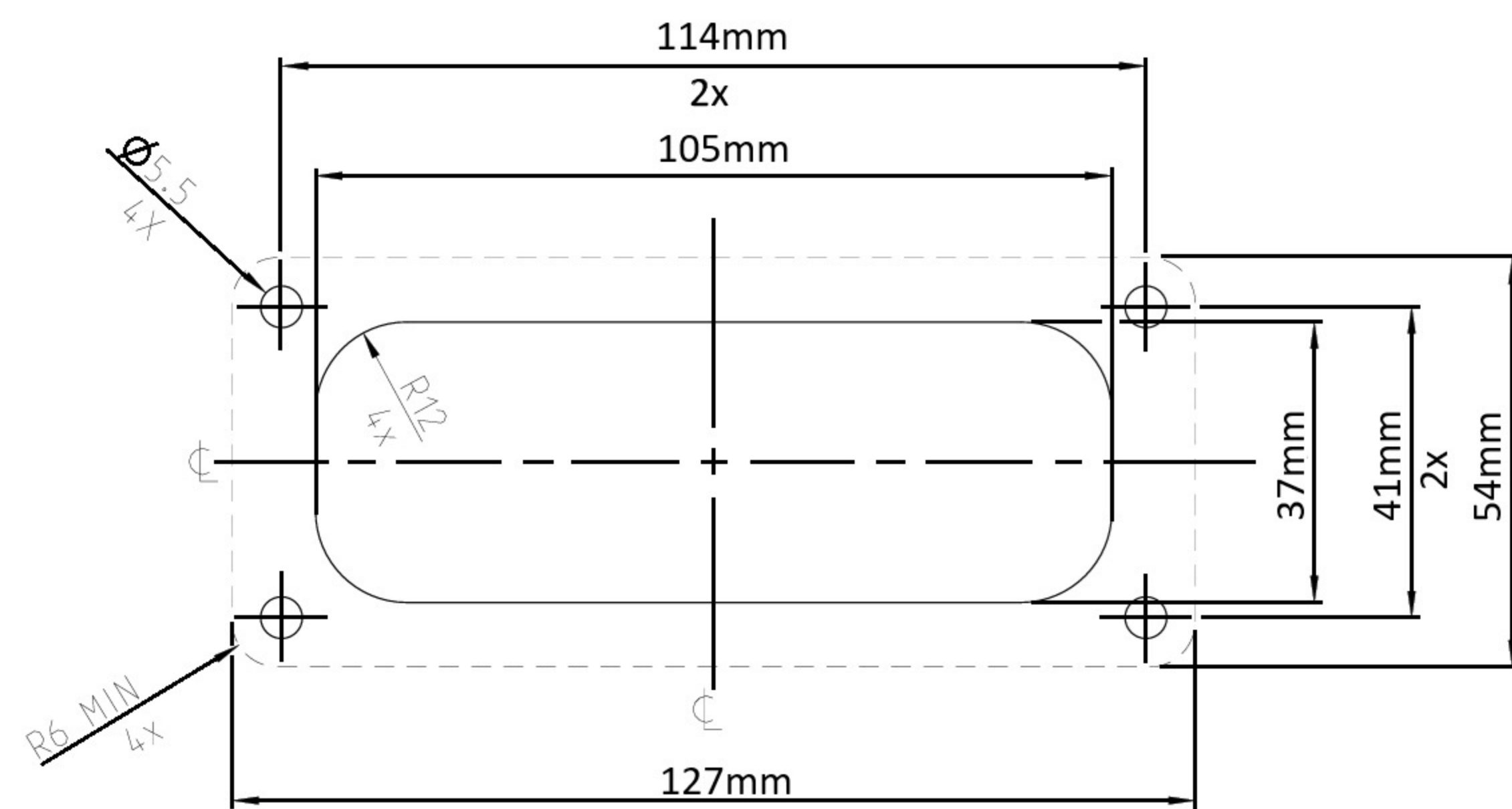
SCALE 2:1



SECTION B - B

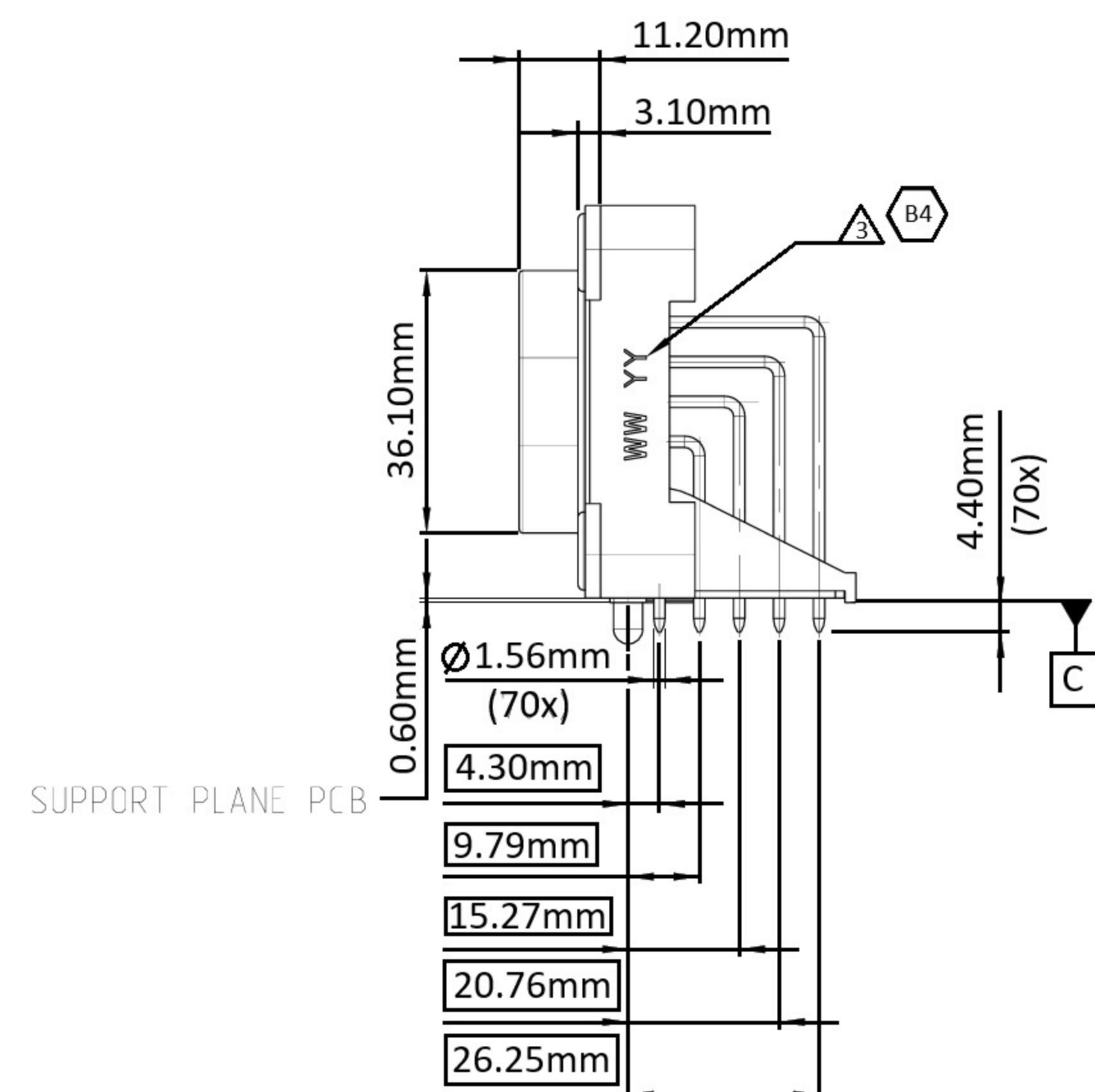
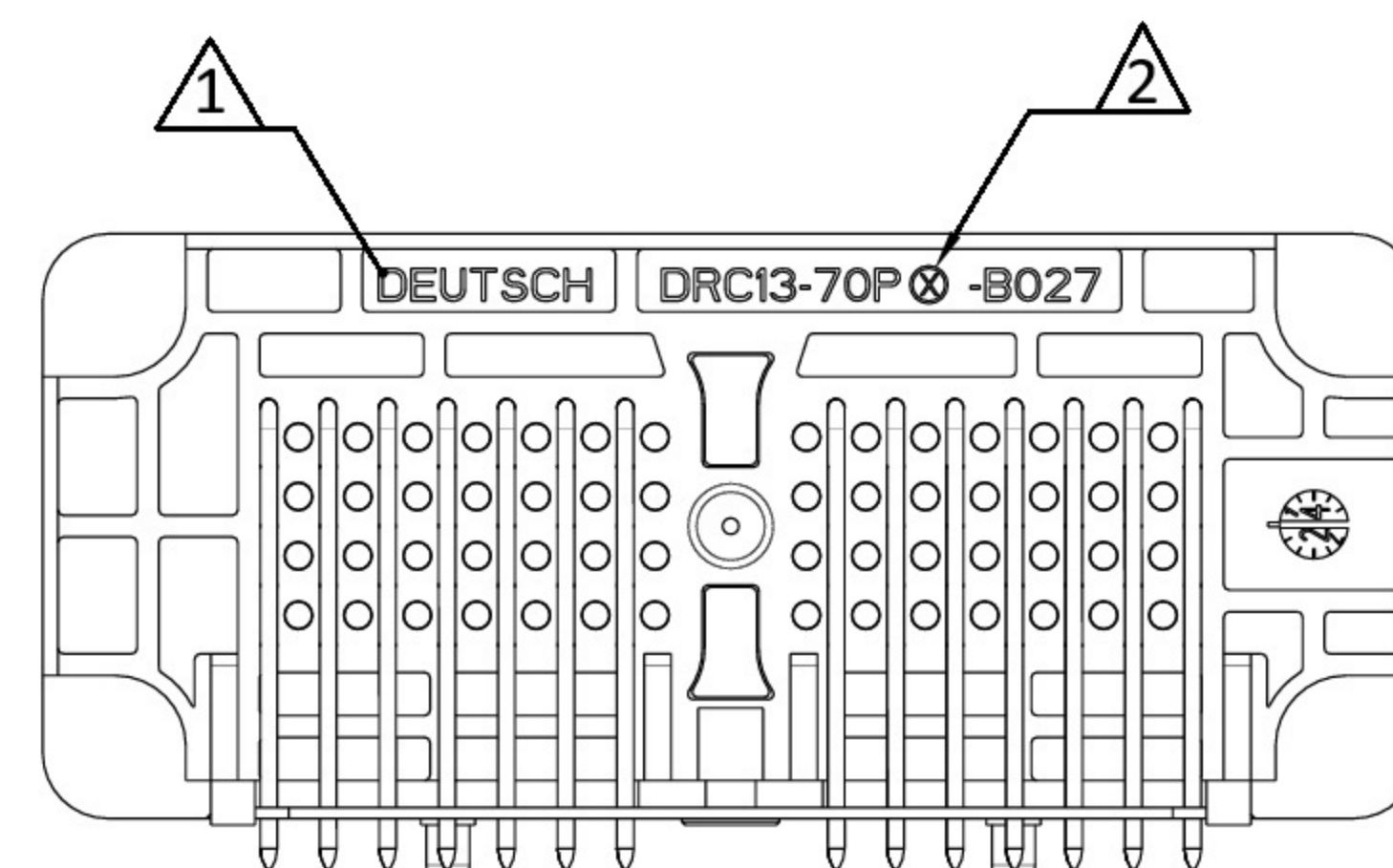
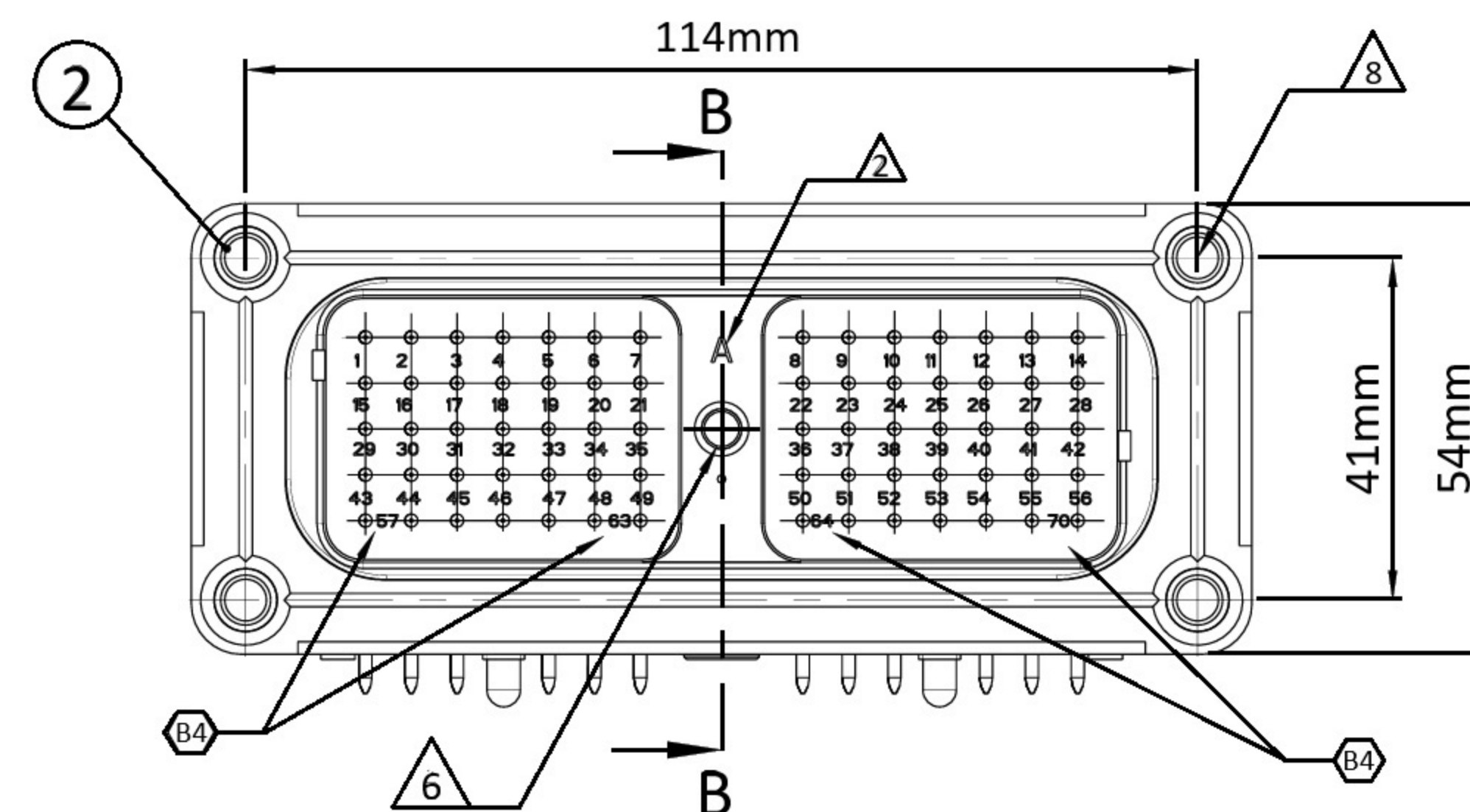


RECOMMENDED PANEL CUTOUT <sup>9</sup>



GENERAL TOLERANCE ACC. TO DIN2768-1  
SEALING SURFACE: 0.8 Ra (32 RMS) OR BETTER AND

0.13mm



- <sup>1</sup> DEUTSCH LOGO
- <sup>2</sup> DEUTSCH CONNECTOR ORDER PART NUMBER  
"X" REPRESENT THE CODING TYPE A, B, C OR D
- <sup>B4</sup> <sup>3</sup> PRODUCTION DATE  
WW = CALENDER WEEK  
YY = YEAR
- <sup>6</sup> CONNECTOR MATES WITH DRC16-70SX VARIANTS  
"X" REPRESENTS THE CODING TYPE A, B, C OR D  
RECOMMENDED JACKSCREW BOLT W/ M4 HEX TORQUE: 2.82-3.13 Nm
- <sup>7</sup> USE SCREW M3.5 X 10mm FOR PCB MOUNTING
- <sup>8</sup> THREADED INSERT M5 x 11mm DEEP (4x)  
RECOMMENDED SCREW TORQUE: 2.26-2.83 Nm
- <sup>9</sup> RECOMMENDED PANEL THICKNESS: 6.25mm MAX.