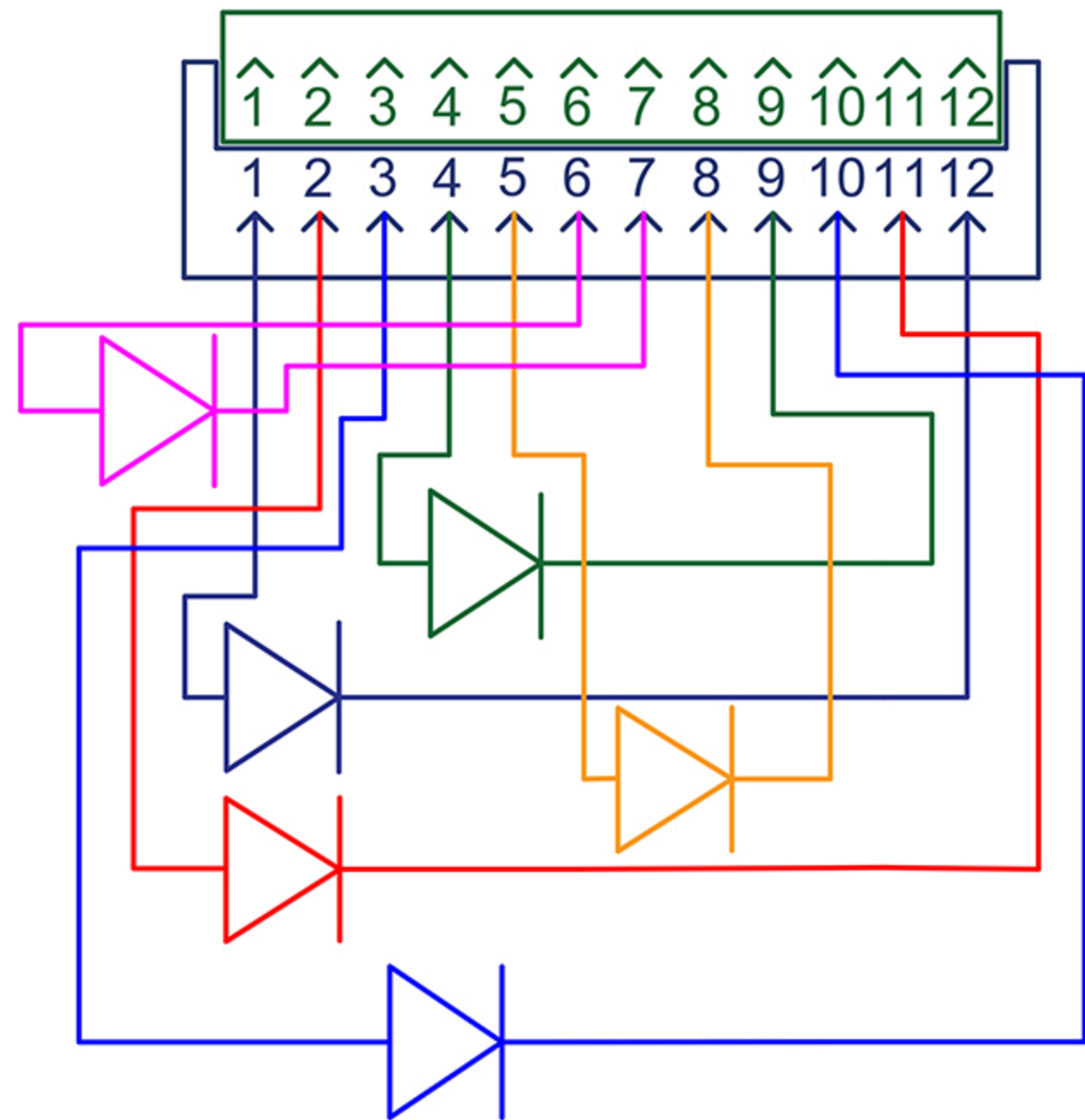


CIRCUIT DIAGRAM



USE 6A DIODE

DIMENSION

