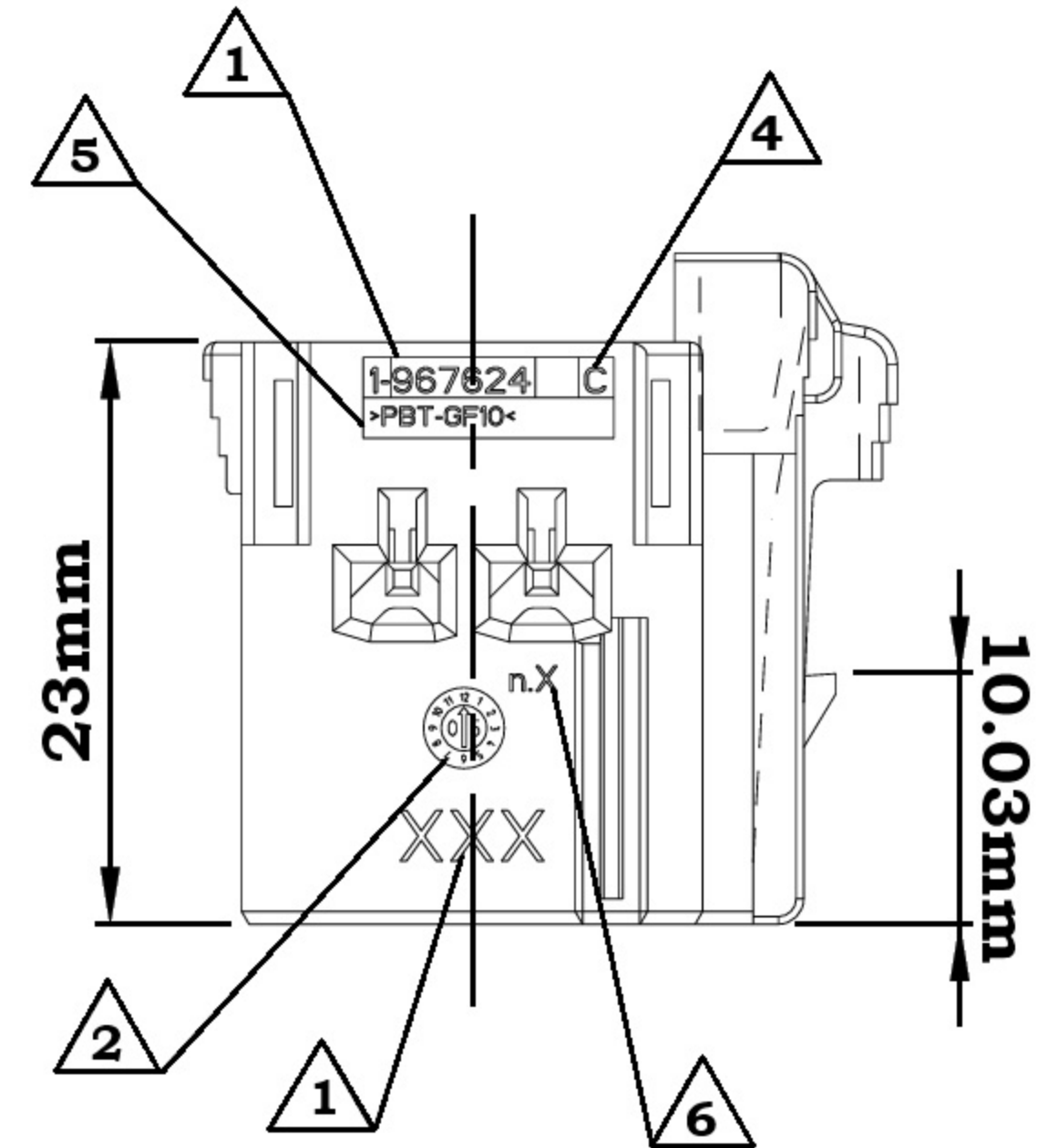
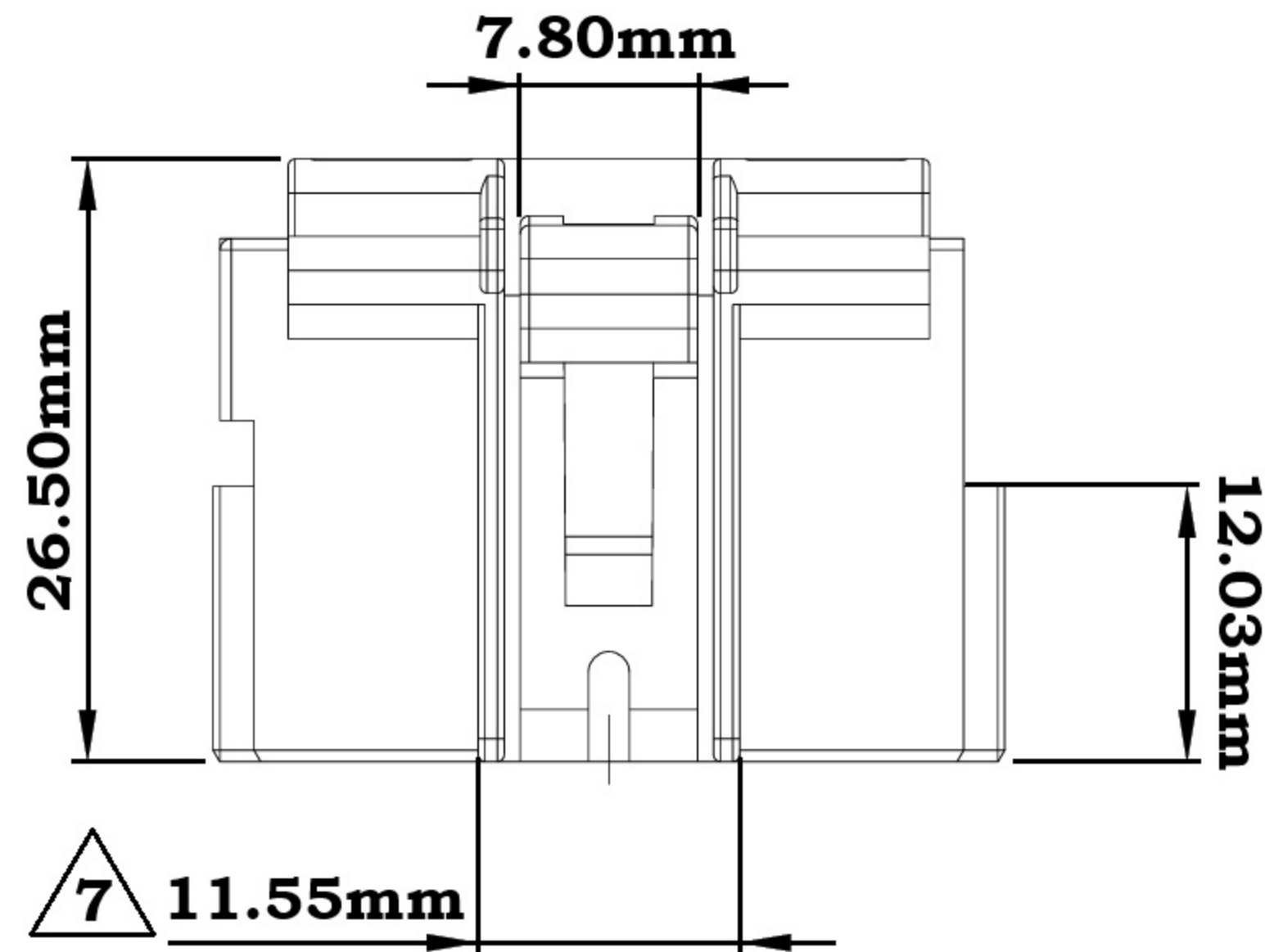
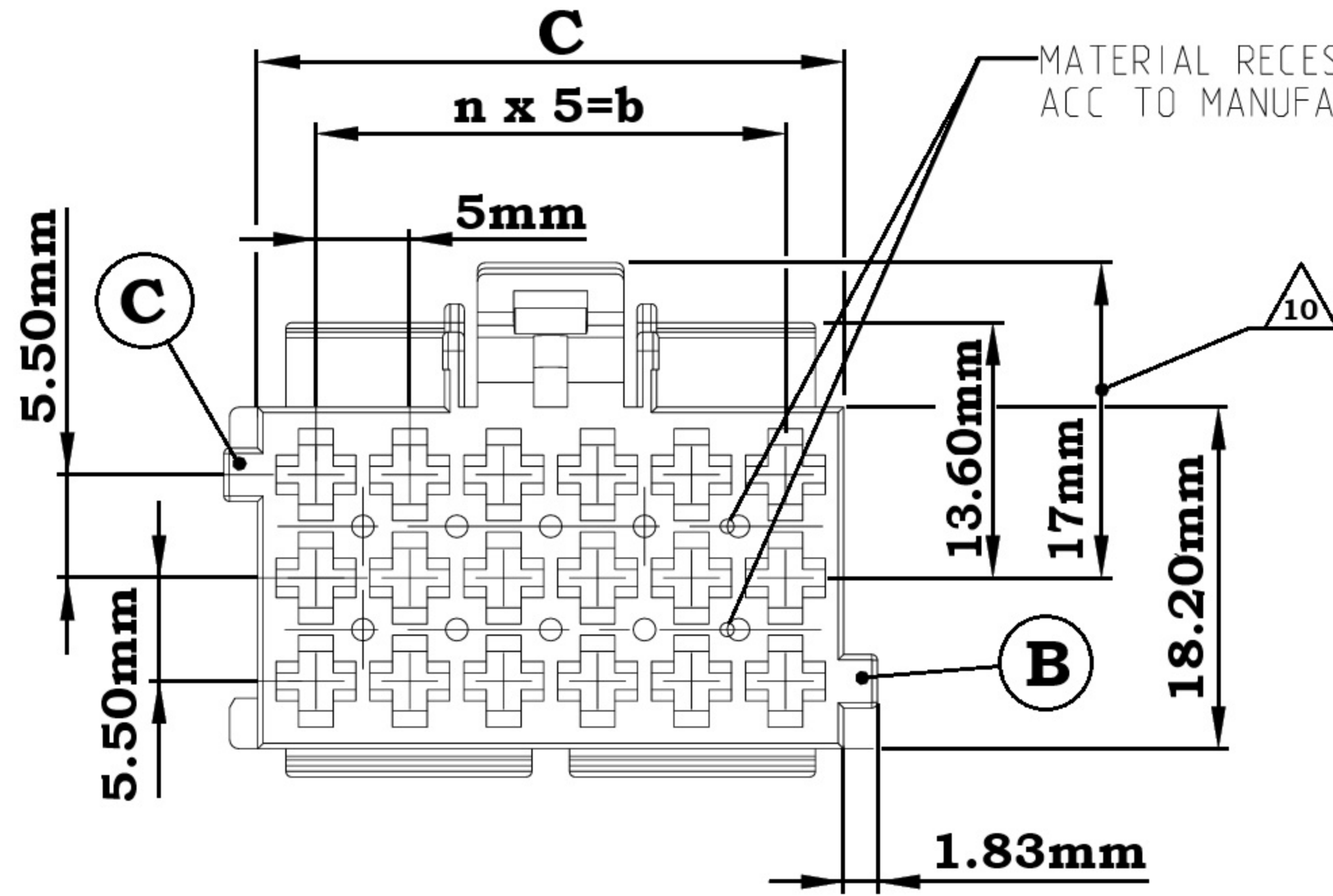
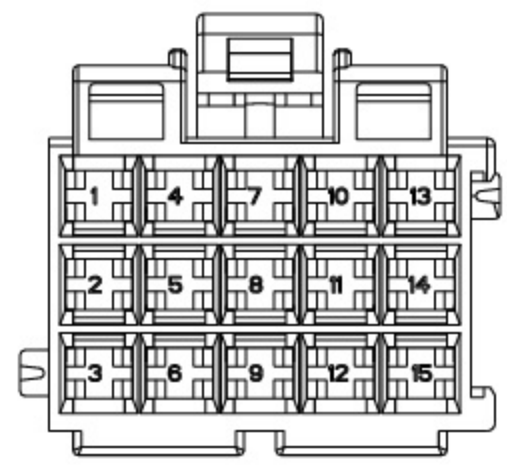


DIMENSIONS



	7.60g	4	20mm	26.2mm	15	26mm	0.55g
CODING A : CAVITY NUMBERING (CAVITIES ONLY SYMBOL)	WEIGHT	n	$b \pm 0.2$	$c \begin{matrix} +0.15 \\ -0.25 \end{matrix}$	POSITIONS	$a \pm 0.15$	WEIGHT

