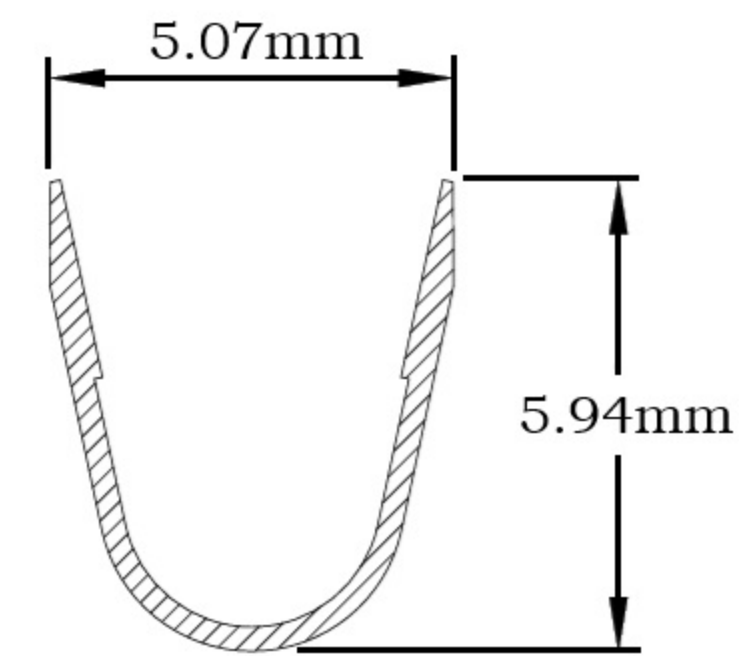
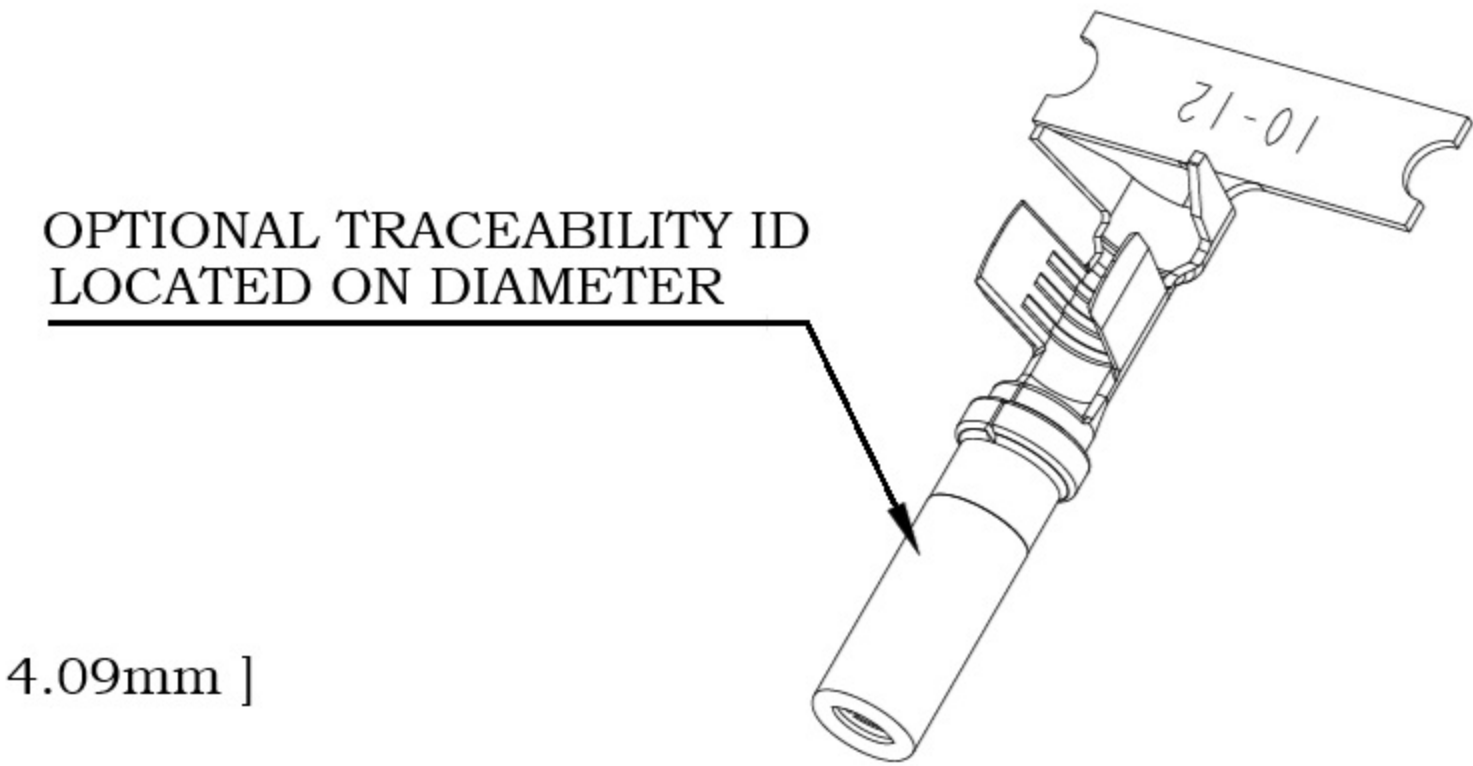
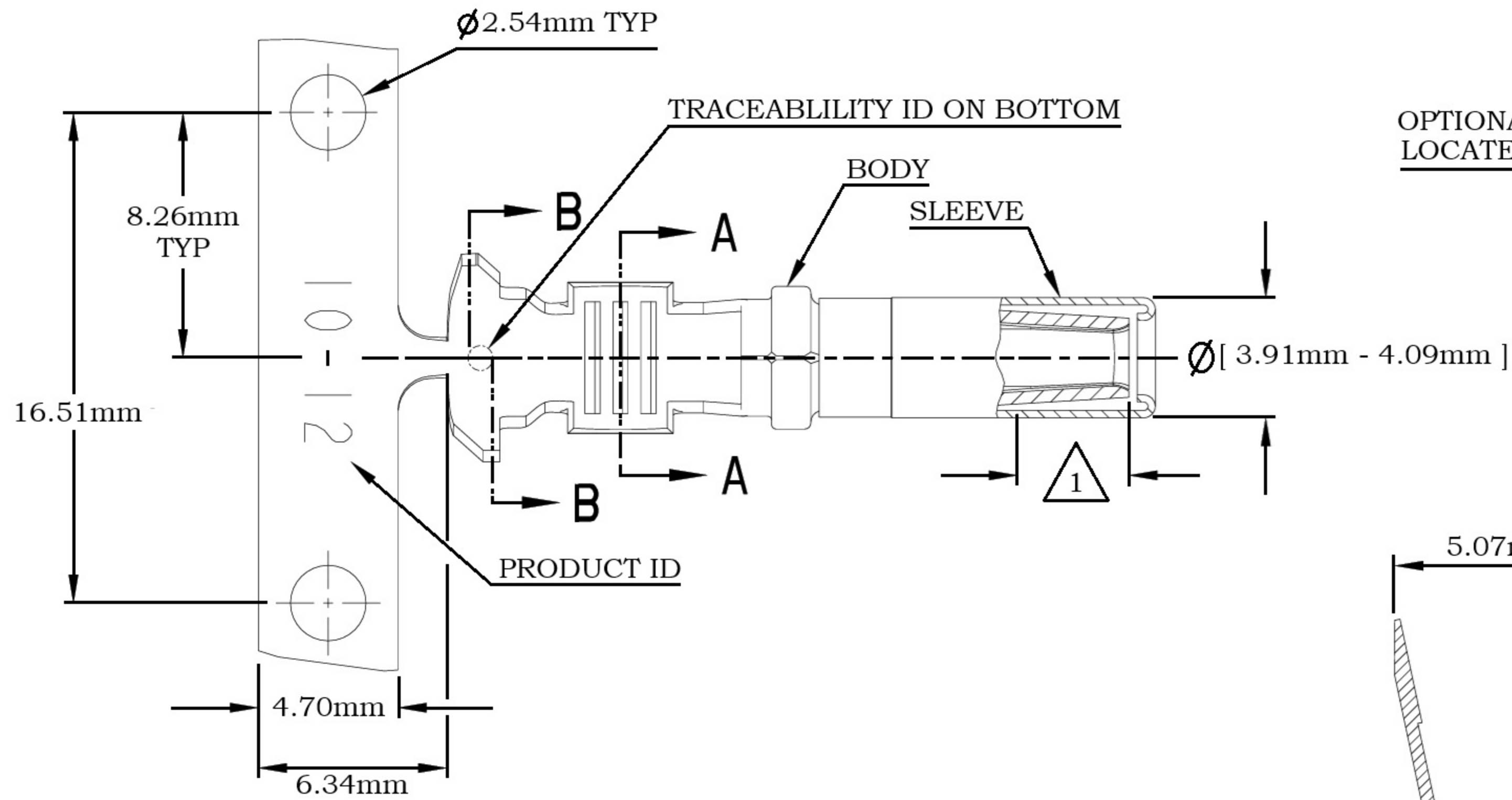
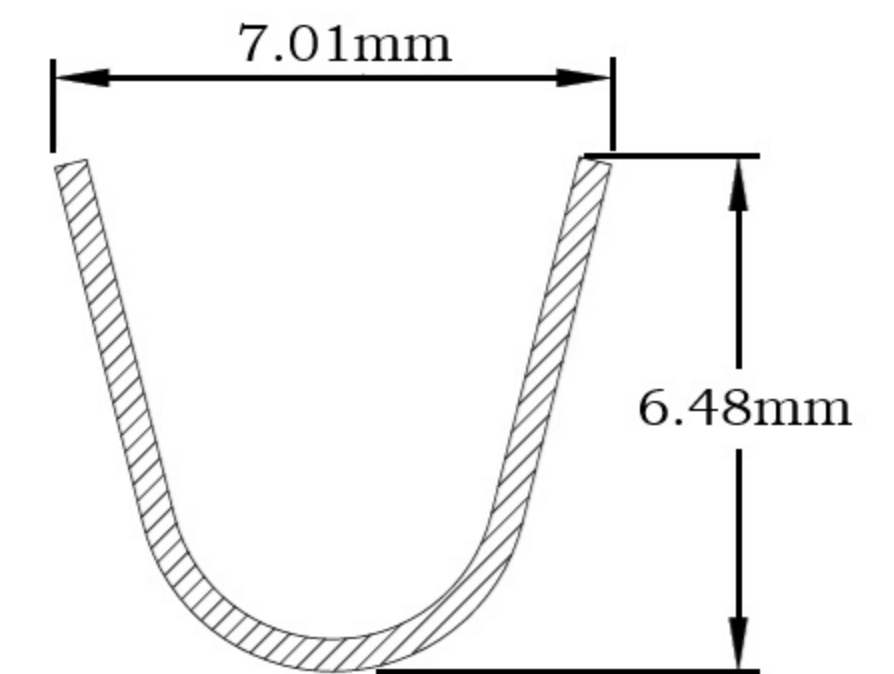


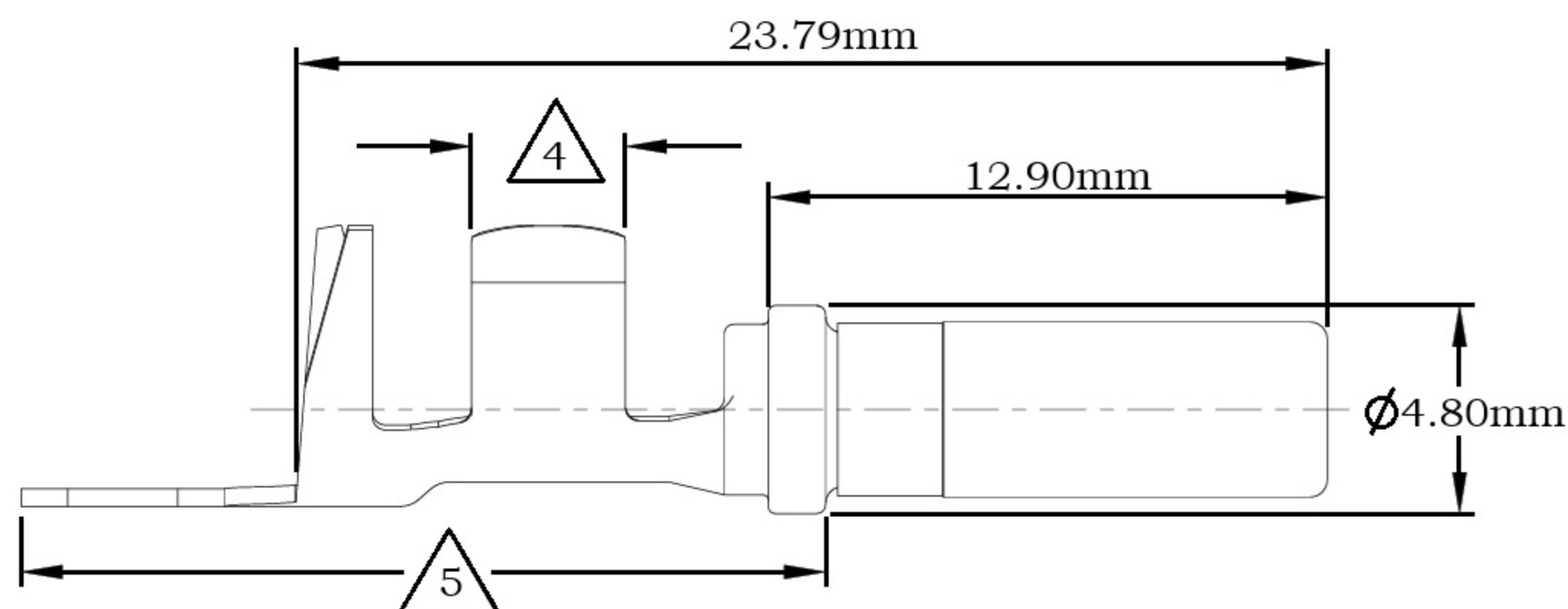
DIMENSIONS



SECTION A-A
CONDUCTOR WINGS



SECTION B-B
INSULATION WINGS



- 5 TIN PLATING MAY BE IN THIS REGION.
- 4 TIN PLATED REGION.
- 3 MATERIAL: .016 [0.41] THICK COPPER ALLOY.
- 2. WIRE RANGE: 10 AWG [4.0-6.0mm²]
INSULATION RANGE: \varnothing .140-.204 [3.56-5.18]
- 1 GOLD PLATED REGION.