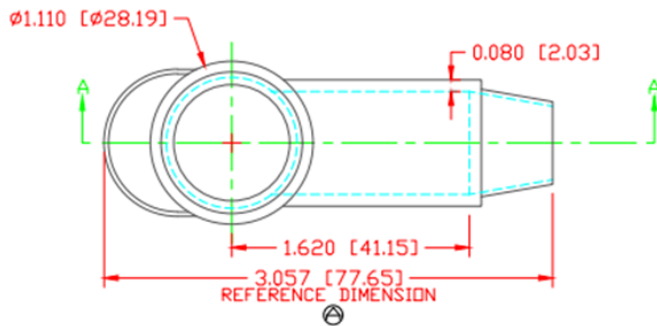


SECTION A-A  
TYP. WALL THICKNESS = .080" [2.0]  
SEAL NO. 3 SHOWN

SEAL THICKNESS = .030" [.8]  
NO. 3  
Cable Gages  
2 - 2/0



ALL DIMENSIONS GIVEN AS: In [mm]