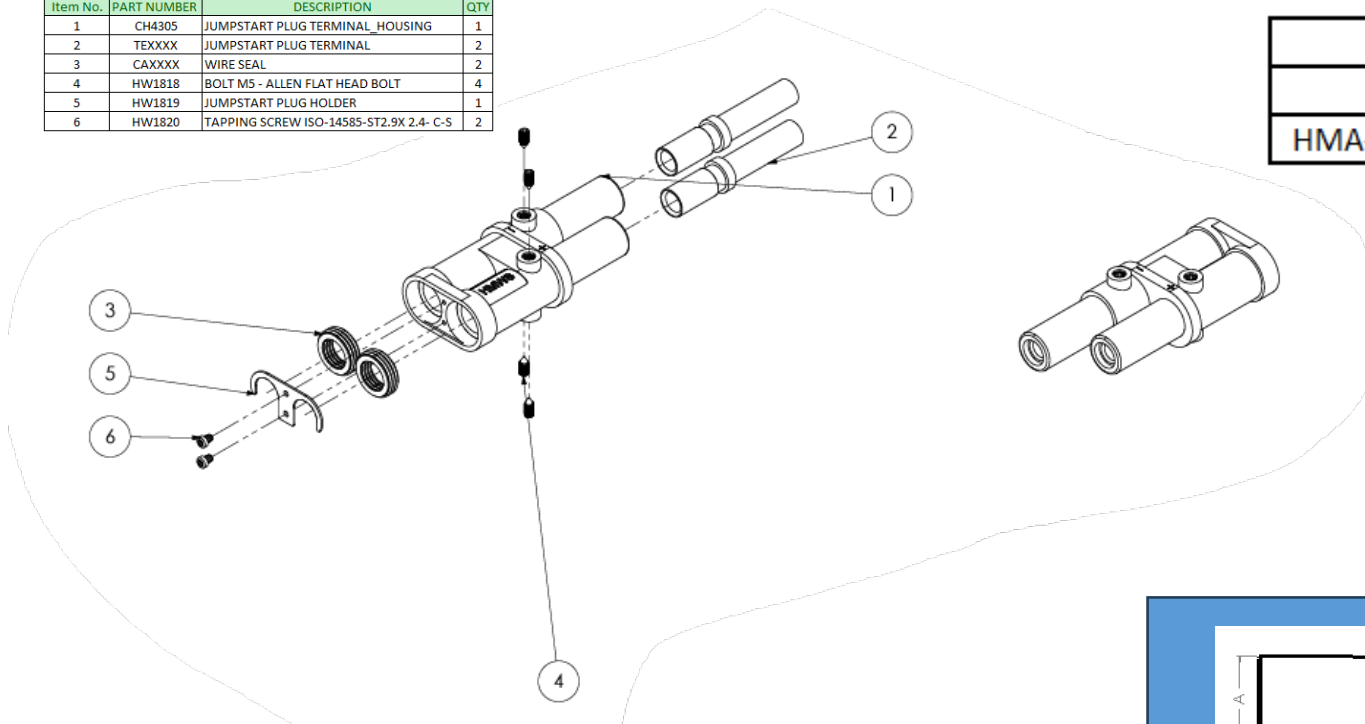


JUMPSTART PLUG TERMINAL ASSEMBLY:

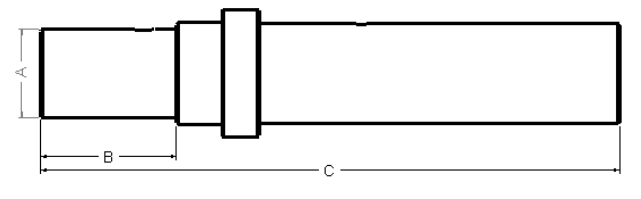
Item No.	PART NUMBER	DESCRIPTION	QTY
1	CH4305	JUMPSTART PLUG TERMINAL HOUSING	1
2	TEXXXX	JUMPSTART PLUG TERMINAL	2
3	CAXXXX	WIRE SEAL	2
4	HW1818	BOLT M5 - ALLEN FLAT HEAD BOLT	4
5	HW1819	JUMPSTART PLUG HOLDER	1
6	HW1820	TAPPING SCREW ISO-14585-ST2.9X 2.4- C-S	2



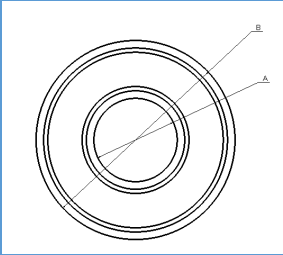
PART NUMBERING		
1 AWG	2 AWG	4 AWG
HMA-7301101123-01-H	HMA-7302101123-01-H	HMA-7303101123-01-H

FEATRURES:

- HEAVY DUTY ELECTRICAL CONNECTIONS WHICH CROSS COMPATIBILITY WITH THE STANDARD JUMPSTART MALE TERMINAL.
- 350 Amp @ 24 VOLT DC CONSTANT DUTY; 2000 Amp @ 24 VOLT DC, INTERMITTENT DUTY (30 seconds)
- 1, 2 AND 4 GAUGE DIFFERENT FLEXIBILITY CONNECTIONS THAT SUITS YOUR NEEDS
- HEATSHRINK FOR ANTI-CORROSION
- SIVER PLATING TERMINAL FINISH



DIMENSIONS (mm)				
Item Code	Description	A	B	C
TE2803	Jumpstart Female 1 AWG	11.7	18.0	76.67
TE2802	Jumpstart Female 2 AWG	11.05	18.0	76.65
TE2804	Jumpstart Female 4 AWG	9.02	18.0	76.65



DIMENSIONS (mm)				
Item Code	Description	A	B	
CA3136	JUMPSTART TERMINAL_WIRE SEAL 1 AWG	10.3	23.4	
CA3137	JUMPSTART TERMINAL_WIRE SEAL 2 AWG	9.8	23.4	
CA3138	JUMPSTART TERMINAL_WIRE SEAL 4 AWG	8.4	23.4	