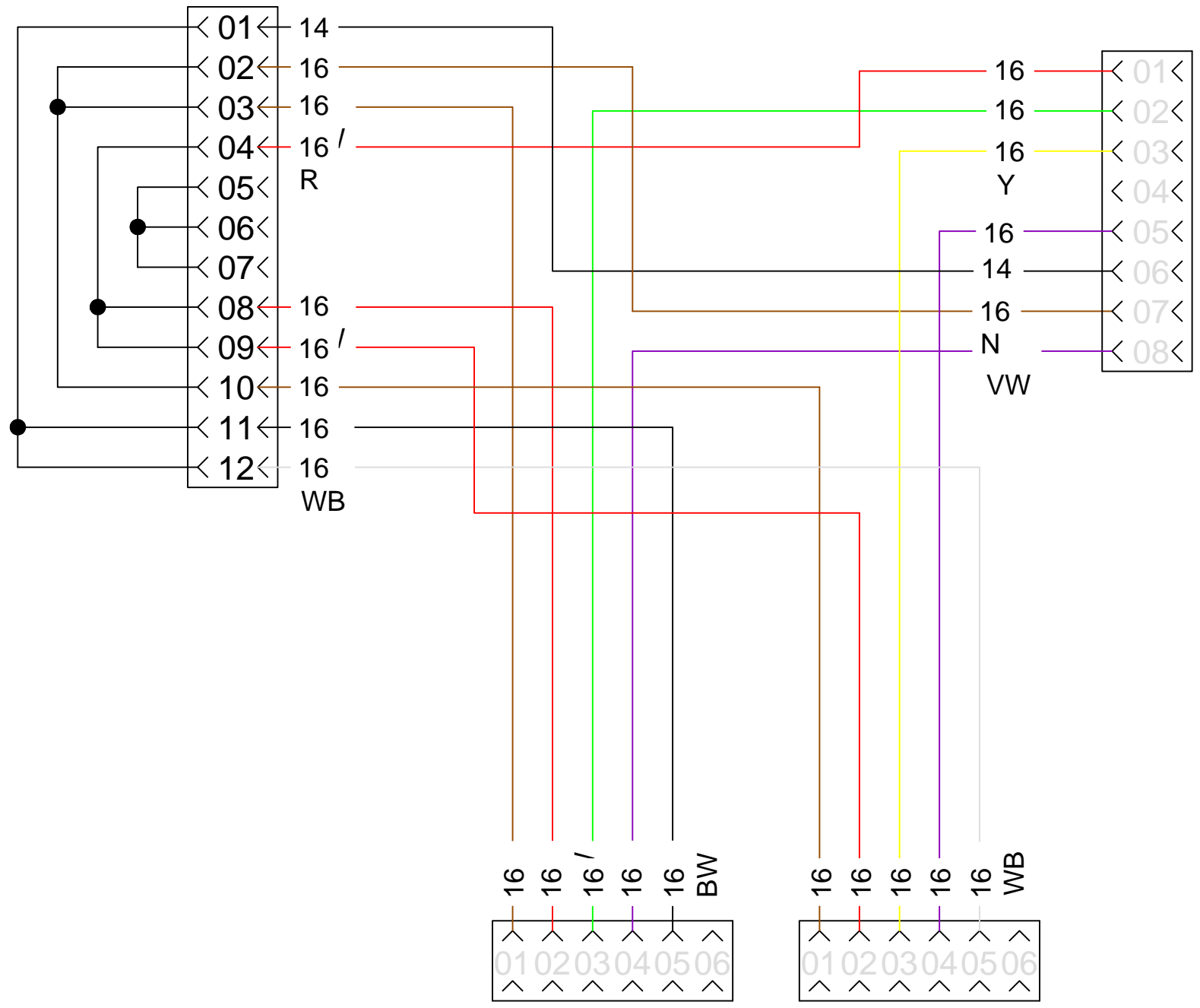


P030



OEM  
LIGHTING  
PICK  
UP

D-5901270211-02 ISUZU  
ADAPTER HARNESS

LEGEND	
BLACK	B
GREEN	G
BLUE	L
BROWN	N
ORANGE	O
PINK	P
RED	R
SILVER	S
VIOLET	V
WHITE	W
YELLOW	Y
WIRE IDENTIFICATION	
14 L CAB	(Symbol)
GAUGE COLOUR STAMP	(Symbol)
18 WG	(Symbol)
GAUGE COLOUR/TRACE COLOUR	(Symbol)

NOTE : WHERE A BOOT IS NOT USED THE LENGTH OF EXPOSED WIRE BETWEEN THE BACK EDGE OF THE CONNECTOR AND END OF BRAID / TUBING WILL BE 50mm FOR A 1 OR 2 WAY CONNECTOR + 2mm PER WAY / LOCATION FOR CONNECTORS OF MORE THAN 2 WAY.

NOTE : ALL MEASUREMENTS ARE TO THE BACK EDGE OF THE CONNECTOR HOUSING (WHERE THE WIRES GO IN )

HARNESS P/N	5901270211-02			
HARNESS NAME	ISUZU LIGHT SW ADAPTOR			
DATE	20-04-12			
BRAID COLOR				
WIRE SPECS	BOOT SPEC	XLPE 125 DEG WIRE	BUSSED RECEPTACLES	NO SOLDERED JOINTS
TICK IF APPLICABLE	<input checked="" type="checkbox"/>	<input type="checkbox"/>	<input type="checkbox"/>	<input type="checkbox"/>