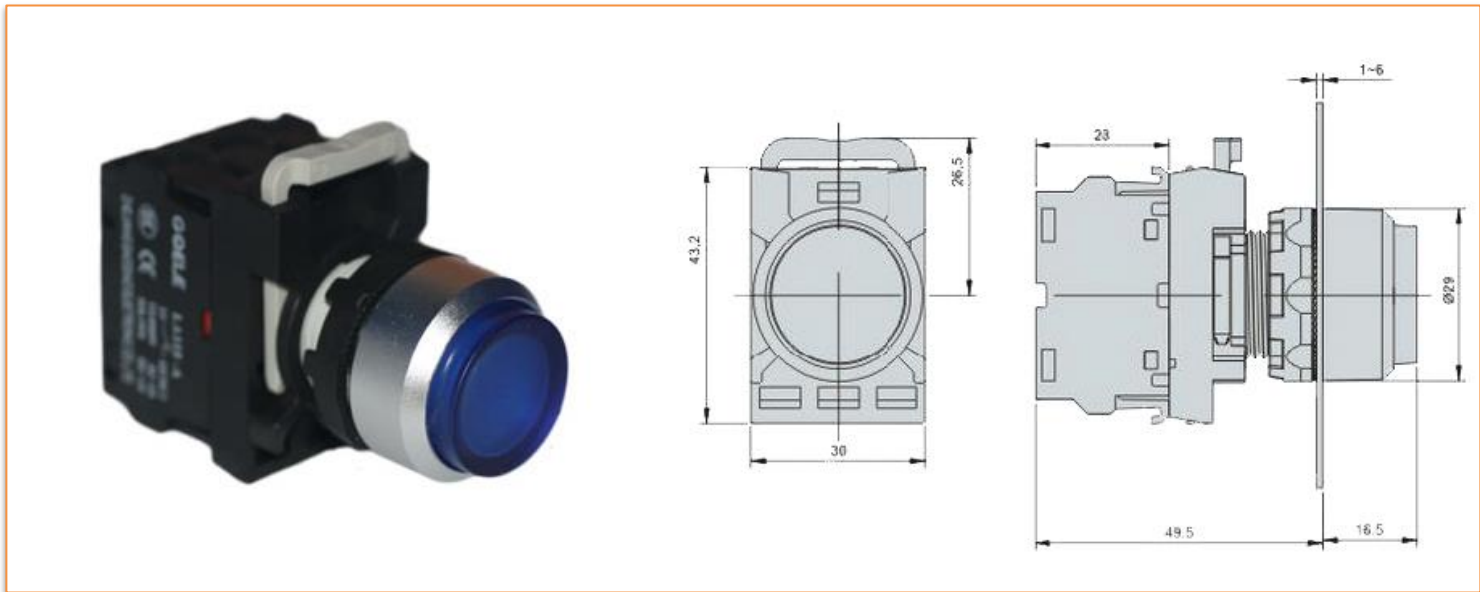


LA115-A ILLUMINATED PUSH BUTTON SWITCH



Specifications

22mm Illuminated push button switch
22mm and 25mm mounting size
waterproof type IP65 can be made as requests

LA115-A2-11HD illuminated push button switch

1. Easy to Assemble
2. $\Phi 22\text{mm}$, $\Phi 25\text{mm}$ mounting diameter
3. Choice of Plastic or Metallic Bezels
4. It can up to IP65. (Common type is IP40, For IP65 type, please inquiry before ordering)
5. Please indicate contact request. (Default contact is 1NO+1NC)

This series includes a complete range of push button switch, extended push button, illuminated push button, maintained push button, Mushroom push button, emergency stop button, selector switch, key switch, dual push button, and etc. For more information, please kindly check the other type of LA115 series push button switches